

ONE DOOR STANDARD IN FACE OR ON SIDE OF ENCLOSURE

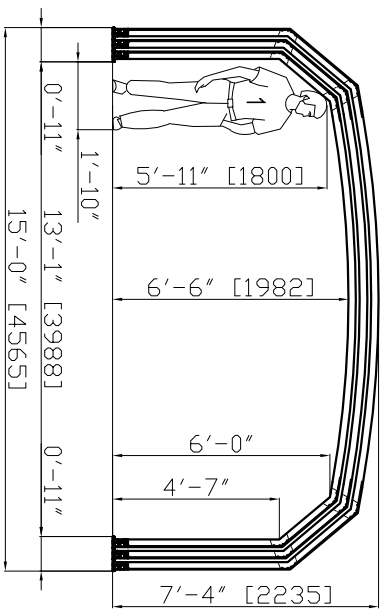
POOL & SPA - SS1

model Oceanic high

- PROFILE: 3x Progres, white RAL 9010
- LENGTH OF ENCLOSURE: 20' 10" (outer 21' 2")
- WIDTH OF ELEMENT: 3x 7' 2"
- RAIL: 2x 28' 8" PROGRES, ELOX
- PC: roof: clear PC 8 mm, sides + faces: clear compact 4 mm
- LARGE FACE: fix without door - 1 door as option
- SMALL FACE: fix without door
- LATERAL DOOR: none - 1 door as option
- FOIL EPDM (black): 3" - doubled

Remark: Arrestment system CATUS (pins outside)

Basement type (specify): CONCRETE PAVEMENT WOODEN DECKING EXTRA FRAGILE OTHERS



WEIGHT APPROX. 830 kg

