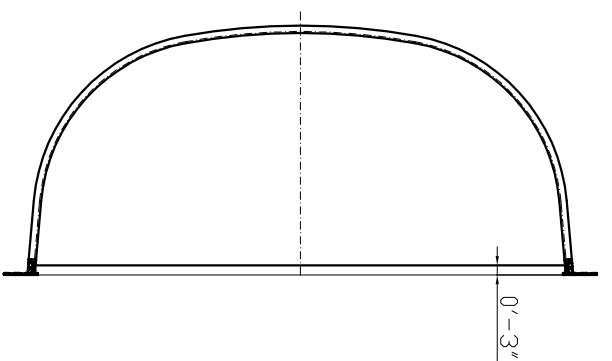


ONE DOOR STANDARD IN FACE OR ON SIDE OF ENCLOSURE



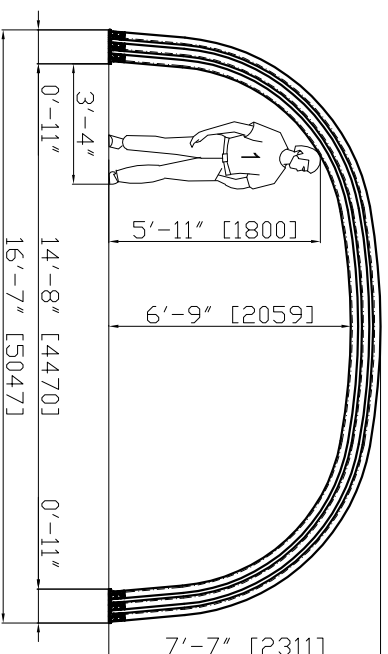
POOL & SPA - SS2

model Laguna

- PROFILE: 3x Progres, white RAL 9010
- LENGTH OF ENCLOSURE: 20' 10" (outer 21' 2")
- WIDTH OF ELEMENT: 3x 7' 2"
- RAIL: 2x 28' 8" PROGRES, ELOX
- PC: clear PC 10 mm
- LARGE FACE: fix without door - 1 door as option
- SMALL FACE: fix without door
- LATERAL DOOR: none - 1 door as option
- FOIL EPDM (black): 3" - doubled

Remark: Arrestment system CATJUS (pins outside)

Basement type (specify): CONCRETE PAVEMENT WOODEN DECKING EXTRA FRAGILE OTHERS.....



WEIGHT APPROX. 900 kg

