

**POOL & SPA - SSI**

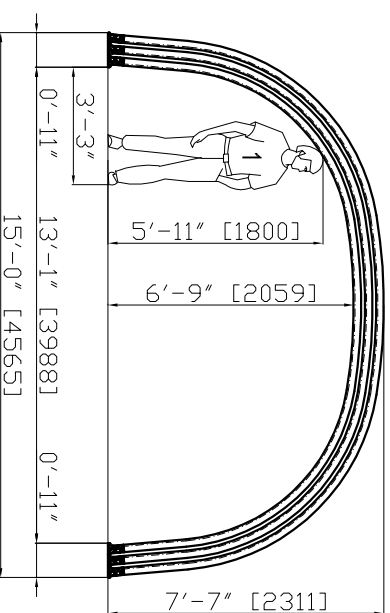
**model Laguna**

- PROFILE: 3x Progres, white RAL 9010
- LENGTH OF ENCLOSURE: 20' 10" ( outer 21' 2" )
- WIDTH OF ELEMENT: 3x 7' 2"
- RAIL: 2x 28' 8" PROGRES, ELOX
- PC: clear PC 10 mm
- LARGE FACE: fix without door - 1 door as option
- SMALL FACE: fix without door
- LATERAL DOOR: none - 1 door as option
- FOIL EPDM (black): 3" - doubled

Remark: Arrestment system CATUS (pins outside)

Basement type (specify): CONCRETE PAVEMENT WOODEN DECKING EXTRA FRAGILE OTHERS.....

P:\zakazky\2010\Pool & Spa (USA)\\_rabdky\Swim Spa Covers (SSI)\OC\_LA\_4470\6350\2311\_Swim-Spa-Cover.dwg



WEIGHT APPROX. 830 kg

